



## Selection Guide

Part No.	Dice	Lens Type	Iv (mcd) VF=9V		Viewing Angle
			Min.	Typ.	
L-36BHD	BRIGHT RED(GaP)	RED DIFFUSED	1.3	2	60°
L-36BID	HIGH EFFICIENCY RED (GaAsP/GaP)	RED DIFFUSED	12	20	60°
L-36BGD	GREEN (GaP)	GREEN DIFFUSED	5	15	60°
L-36BYD	YELLOW (GaAsP/GaP)	YELLOW DIFFUSED	5	10	60°
L-36BSRD-B	SUPER BRIGHT RED(GaAlAs)	RED DIFFUSED	100	200	60°

Note:

1.  $\theta_{1/2}$  is the angle from optical centerline where the luminous intensity is 1/2 the optical centerline value..

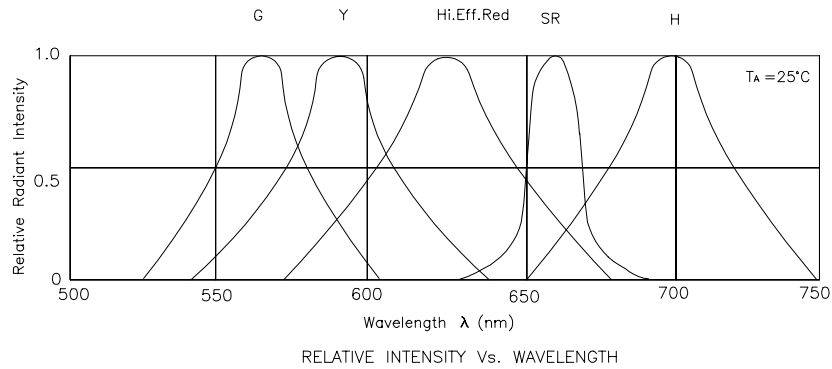
## Electrical / Optical Characteristics at T<sub>A</sub>=25°C

Symbol	Parameter	Device	Min	Typ	Units	Test Conditions
$\lambda_{peak}$	Peak Wavelength	Bright Red High Efficiency Red Green Yellow Super Bright Red		700 627 565 590 660	nm	
$\lambda_D$	Dominant Wavelength	Bright Red High Efficiency Red Green Yellow Super Bright Red		660 625 568 588 640	nm	
$\Delta\lambda_{1/2}$	Spectral Line Halfwidth	Bright Red High Efficiency Red Green Yellow Super Bright Red		45 45 30 35 20	nm	
$I_F$	Forward Current	Bright Red High Efficiency Red Green Yellow Super Bright Red	8 8 8 8 8	20 22 20 21 25	mA	Min: $V_F=3.5V$ Typ: $V_F=5V$
$I_{SON}$	Supply Current	Bright Red High Efficiency Red Green Yellow Super Bright Red		8~43 8~44 8~42 8~43 8~45	uA	$V_F=3.5V\sim 14V$
f	Blink Frequency	All		3~1.5	Hz	$V_F=3.5V\sim 14V$

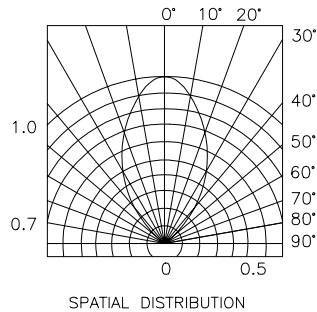
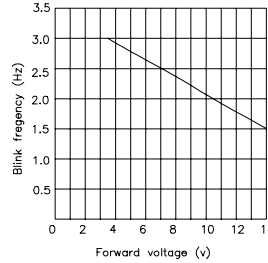
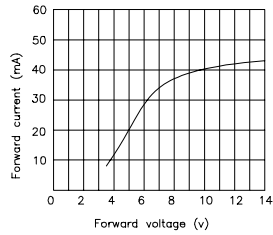
## Absolute Maximum Ratings at $T_A=25^\circ\text{C}$

Parameter	Bright Red	High Efficiency Red	Green	Yellow	Super Bright Red	Units
Power dissipation	310	310	310	310	310	mW
DC Forward Current	55	55	55	55	55	mA
Reverse Voltage	0.5	0.5	0.5	0.5	0.5	V
Operating Temperature	-40°C To +70°C					
Storage Temperature	-50°C To +100°C					
Lead Soldering Temperature [1]	260°C For 5 Seconds					

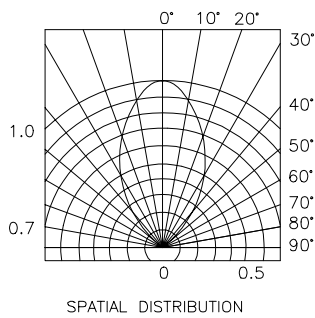
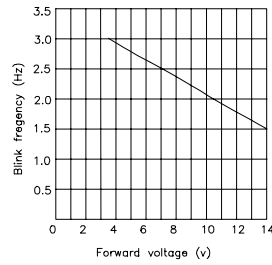
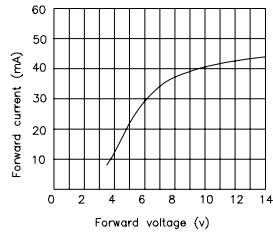
Note:  
1. 4mm below package base.



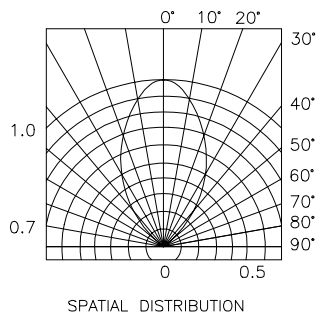
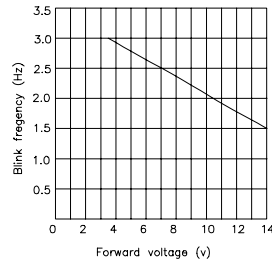
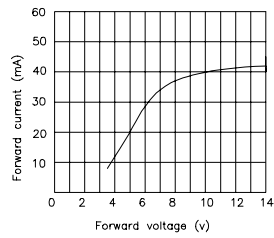
## BRIGHT RED L-36BHD



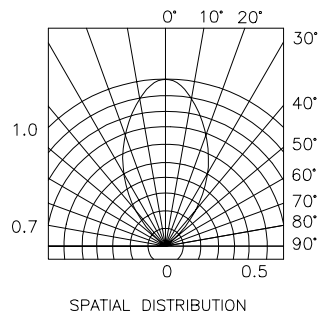
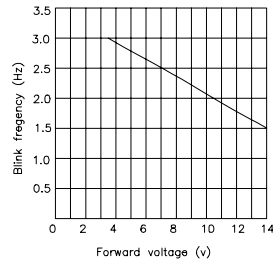
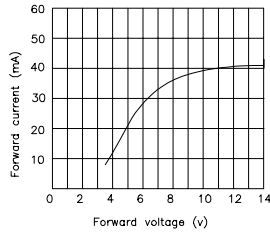
## High Efficiency Red L-36BID



## Green L-36BGD



## Yellow L-36BYD



## Super Bright Red L-36BSRD-B

